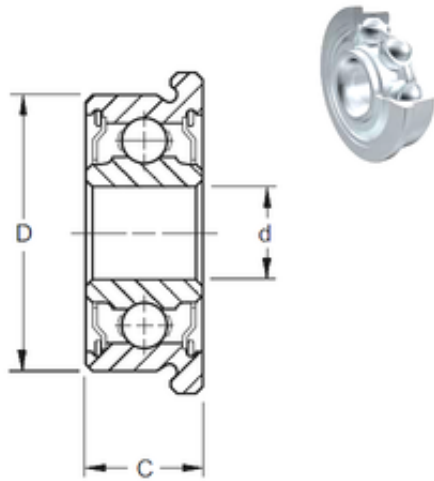




Spherical Roller Bearings(UK)LTD.



6 mm x 10 mm x 3 mm ZEN MF106-2Z deep groove ball bearings

Bearing No. MF106-2Z

Size	6x10x3 mm
Bore Diameter	6 mm
Outer Diameter	10 mm
Width	3 mm
d	6 mm
D	10 mm
B	3 mm
C	3 mm
Basic dynamic load rating (C)	0,496 kN
Basic static load rating (C0)	0,218 kN

MF106-2Z Bearing 2D drawings and 3D CAD models